

Avi-on Power Supply (class 2)

Easy integration with Avi-on power supplies



The Avi-on AVI-PSR20-277-24-150 power supply is a simple, low cost, class 2, 24V DC power supply for commercial and industrial lighting applications. It is designed to power up to 6 sensors in parallel. The AVI-PSR20-277-24-150 handles 120-277VAC input and outputs up to 150mA 24V DC with relay connected. Easy fixture or J-box mounting with 1/2" knockout.

Specifications

Features

- 150mA 24V DC output
- Commercial application rated
- UL Listed

Certifications

UL Certifications
UL 244 A Plenum rated
UL 94V-0 case
UL/cUL listed: E341446

Product Data	
Product Type	Class 2 output power supply
Input	120-277VAC, 50/60Hz
Output	24VDC, 150mA
Max Load (Ballast)	20A @ 120-277VAC
Max Load (Incandescent)	20A @ 120VAC
Max Load (Motor)	1hp @ 120-240VAC
Max No. Of Sensors	Controls up to 6 sensors in parallel
Operating Temperature	0° C to 55°C
Storage Temperature	-10° C to 60°C
Relative Humidity	95% non-condensing
Mounting	Fixture or J-box mount, 0.5" knockout
Color	White
Weight	4.3 oz

ORDERING INFORMATION

Part Number	Name	Description
AVI-PSR20-277-24-150	Avi-on Class 2 Power Supply	24V Power Supply + 20A Relay

To order please contact Avi-on sales at **(877) AVION-US**, (877) 284-6687 or prosales@avi-on.com for information on becoming an Avi-on partner and order details.

Project	Location/ Type

DIAGRAMS

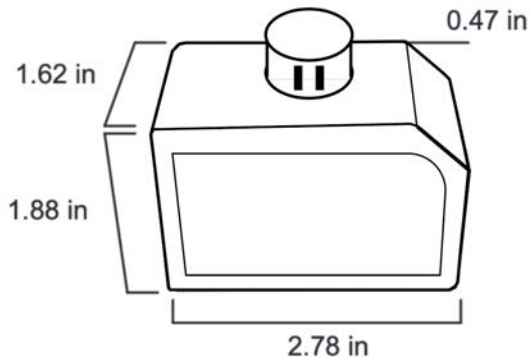


Figure 1. Dimensions

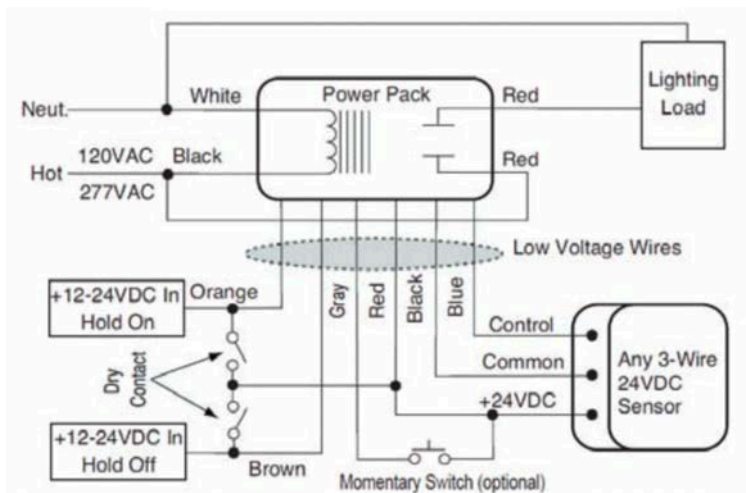


Figure 2. Wiring Diagram (Single Load)

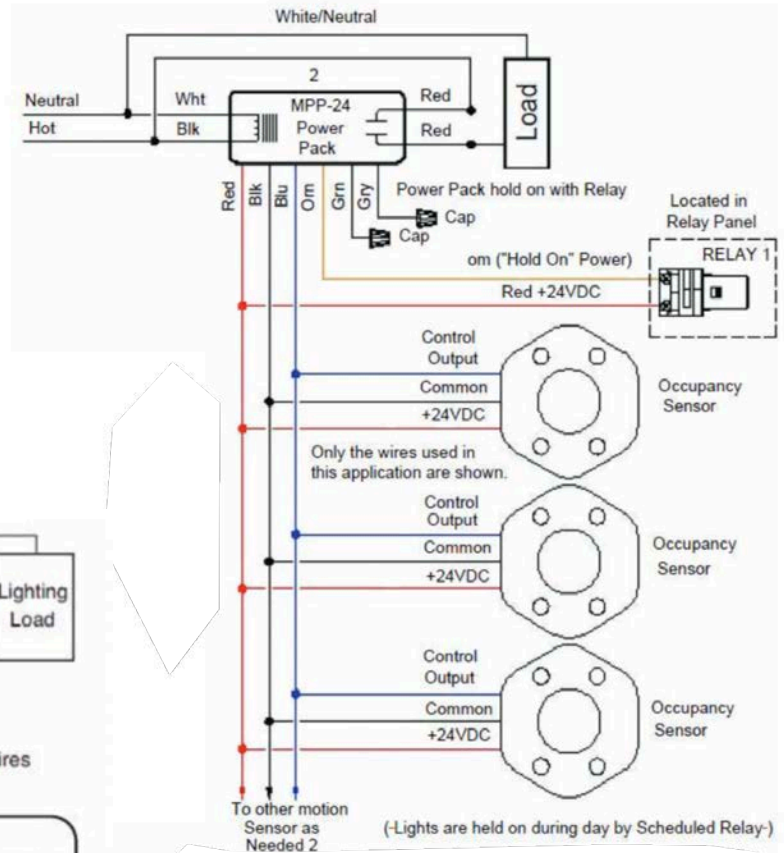


Figure 3. Wiring Diagram (Multiple Loads with Relay)

ALL PRODUCT, PRODUCT SPECIFICATIONS AND DATA ARE SUBJECT TO CHANGE WITHOUT NOTICE TO IMPROVE RELIABILITY, FUNCTION OR DESIGN OR OTHERWISE. The information contained herein is believed to be reliable. Avi-on makes no warranty, representation or guarantee regarding the information contained herein, the suitability of the products for any particular purpose, or the continuing production of any product. Avi-on assumes no responsibility or liability whatsoever for the use of the information contained herein. The information contained herein, or any use of such information does not grant, explicitly or implicitly, to any party any patent rights, licenses, or any other intellectual property rights, whether with regard to such information itself or anything described by such information.