

Low Voltage Fixture Adapters

Status LEDs & Config Button
Quick and easy validation of wiring and network

Direct Connect™ Sensor Port
Simple and cost-effective addition to Avi-on sensors

Terminal Blocks & Mounting Tabs
Faster, easier and lower cost installation eliminating connectors

Fixture-integrated adapter works with any dim-to-off 0-10V fixture

Internal Antenna
Improved performance and eliminates risk of accidentally cutting a hanging wire

Product Overview

Description
The LVFA series fixture adapter mounts inside lighting fixtures providing addressability for each luminaire. All fixture adapters are part of the Avi-on® Bluetooth® with Mesh product ecosystem supported by the Avi-on mobile app, commissioning tools and cloud IoT Services.

Operation
The fixture adapter requires 12-24VDC. It must be powered either by a LED driver with AUX output or an external Avi-on power supply (Class II). Once powered up and added to the network, the fixture adapter dims lighting loads in response to the input from communicating devices.

Direct Connect™ Ready
Just plug any Avi-on Direct Connect Sensor into the sensor port for easy sensor integration. Sensor is powered directly from the LVFA.

Applications
This family of low voltage fixture adapters is ideal for controlling any lighting fixture that utilizes 0-10V dim-to-off drivers. Its compact size makes it easy to fit inside most indoor fixtures such as flat panels, troffers, retrofit kits, linear architectural fixtures, recessed and other luminaires for offices and schools applications.

The LVFA is an easy solution for almost any indoor commercial lighting project including offices, manufacturing, warehouses, schools, gymnasiums, common areas, UV-C lighting control, and outdoor area lights including floods, canopies in garage, open parking, site, and athletic facilities.

Finally, the 2-channel 0-10V model is ideal for projects with tunable white requirements.

Ordering Information

Part Number	Description	Application	Input Voltage
AVI-LVFA-1CH-12-24VDC	Fixture adapter, single channel 0-10V, dim-to-off driver	Indoor	12 - 24 VDC
AVI-LVFA-2CH-12-24VDC	Fixture adapter, dual channel 0-10V, dim-to-off driver, tunable white	Indoor, CCT	12 - 24 VDC
AVI-LVFA-1CH-12-24VDC-OA	Fixture adapter, single channel 0-10V, dim-to-off driver, external antenna	Outdoor	12 - 24 VDC

To order please contact Avi-on sales at **(877) AVION-US**, (877) 284-6687 or prosales@avi-on.com for information on becoming an Avi-on partner and order details.

Project		Location/Type	
----------------	--	----------------------	--

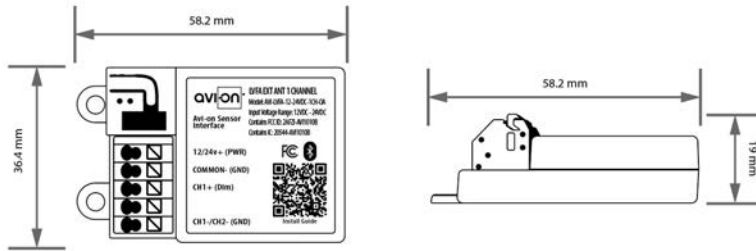
Specifications

Input Voltage:	12-24VDC
Current:	15mA without a Sensor 19mA with a DC PIR Sensor 48mA with a DC Microwave Sensor
0-10V Dimming:	5mA per Channel
Size:	2.30in x 1.43in x 0.75in (58.2mm x 36.4mm x 19mm)
Mounting:	Removable mounting tabs
Weight:	0.45 oz (16g)
Terminal Blocks:	22-16 AWG wires
Operating Temperature:	-22F to +158F (-30C to +70C)
Storage Temperature:	-40F to +185F (-40C to +85C)

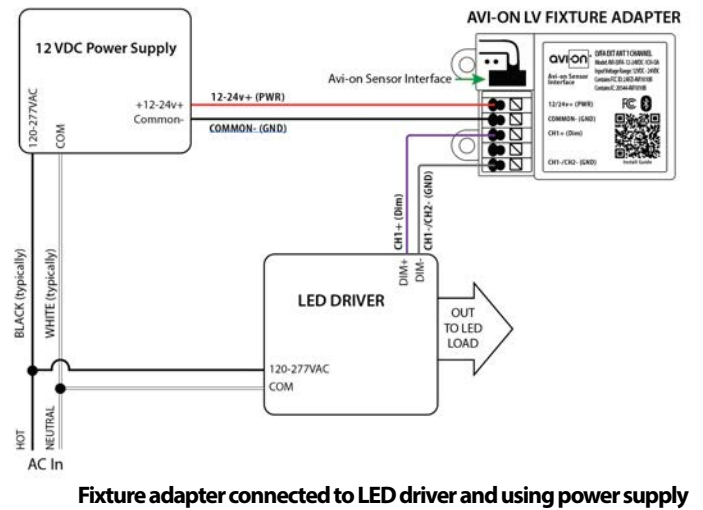
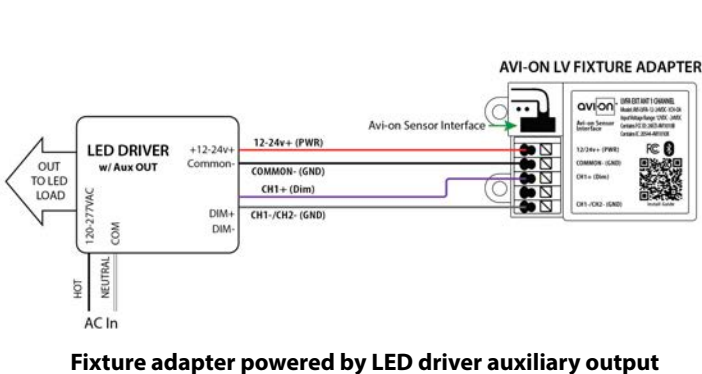
Radio Frequency:	2.4GHz
Wireless Standard:	BLE 4.2 with Mesh
Point to Point Range*:	80ft with obstructions and 350ft unobstructed
Security:	AES 128-bit encryption for device to device communication AES 256-bit encryption for device to cloud communication
Warranty:	5 years; 10 years optional
Regulatory:	FCC: 2AFZI-AV11010 B IC: 20544-AV11010 B BQB: D031801, DID: 86303

*When communicating through the mesh, range is essentially unlimited (5000ft+)

Dimensions:



Wiring Diagrams



ALL PRODUCT, PRODUCT SPECIFICATIONS AND DATA ARE SUBJECT TO CHANGE WITHOUT NOTICE TO IMPROVE RELIABILITY, FUNCTION OR DESIGN OR OTHERWISE. The information contained herein is believed to be reliable. Avi-on makes no warranty, representation or guarantee regarding the information contained herein, the suitability of the products for any particular purpose, or the continuing production of any product. Avi-on assumes no responsibility or liability whatsoever for the use of the information contained herein. The information contained herein, or any use of such information does not grant, explicitly or implicitly, to any party any patent rights, licenses, or any other intellectual property rights, whether with regard to such information itself or anything described by such information.

