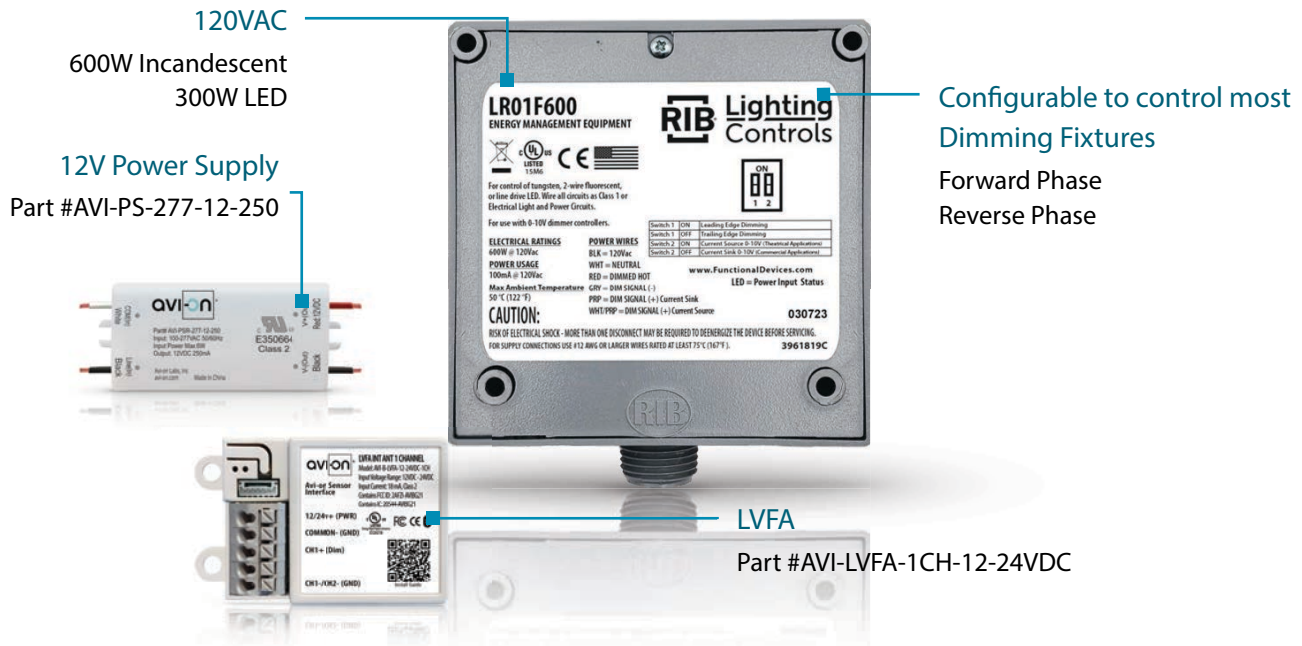


120 V Phase Dimming Kit

Circuit Level Phase Dimming with Avi-on Networks



PRODUCT OVERVIEW

Control forward or reverse-phase dimmable light fixtures using the KIT AVI-PHASEDIM-120V-300W. The kit includes an Avi-on LVFA network node with 0-10V output, a 0-10V input 120V phase dimmer, and an AC power supply for the LVFA. Easily installed in a single 2x4 or 4x4 box. Consult maximum load ratings for sizing fixtures per dimmer. Note that LED loads are only recommended (and warranted) up to 300W, but depending on the specific fixture, it may be possible to add more.

ORDERING INFORMATION

Part Number	Supply Voltage	Channels	Max Load
KIT AVI_PHASEDIM-120V-300W	120 VAC	Single	600w Incandescent/ 300W LED/Other

To order please contact Avi-on sales at **(877) AVION-US**, (877) 284-6687 or prosales@avi-on.com for information on becoming an Avi-on partner and order details.

Project		Location/ Type	
---------	--	-------------------	--

SPECIFICATIONS

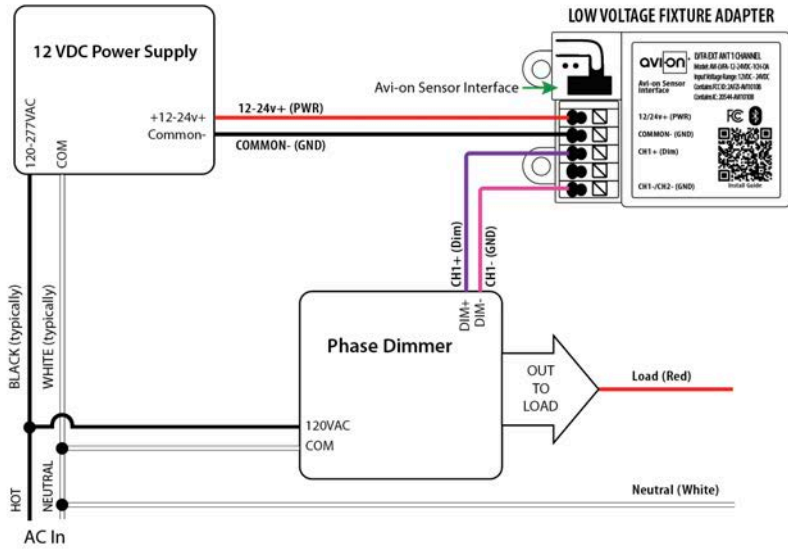
Input Voltage:	120VAC	Radio Frequency:	2.4GHz
0-10V Dimming:	Load Current Sink	Wireless Standard:	BLE 4.2 with Mesh
Load Capacity:	1 W min, 600W Max Incandescent/ Halogen Recommended 300W Max LED and Other	Point to Point Range*:	80ft with obstructions and 350ft unobstructed
Size:	4.00"H x 4.00"W x 1.81"D with 0.50" NPT nipple (102mm x 102mm x 46mm)	Warranty:	5 years; 10 years optional
Mounting:	External or internal box mount	Regulatory:	FCC: 2AFZI-AV11010 B IC: 20544-AV11010 B BQB: D031801, DID: 86303 UL 916, C-UL, NEMA 1
Weight:	8oz (16g)		
Operating Temperature:	-30F to +122F (-34C to +50C)		
Storage Temperature:	-40F to +185F (-40C to +85C)		
Humidity Rating:	95% non-condensing		

**When communicating through the mesh, range is essentially unlimited (5000ft+)*

INSTALLATION AND CONFIGURATION

- 1) Verify that the connected load does not exceed the device ratings.
- 2) Verify the dimming type of the connected fixtures and set the Forward/Reverse Phase DIP switches to match the fixture type being controlled. Do not mix different fixture types on the same dimmer. **IMPORTANT:** Leave the Current Source 0-10V DIP switch set to OFF.
- 3) Install the LVFA Power Supply and Phase Dimmer in a 4x4 or equivalent electrical box following local electrical code requirements. Connect the AC, DC power, and 0-10V Dimming wires as shown in the wiring diagram below. Cap off the Purple/White wire.
- 4) When configuring the LVFA in the Avi-on network, **Low End Trim must be set to 25%** to avoid potential fixture flicker and to ensure expected operation of wall stations, daylight harvesting, and sensors.
- 5) The unit contains a thermal protection cutoff. If the unit is overloaded, it will shut off and restart when it cools down. It is not rated for continuous overloading, however. Overloading can easily lead to premature failures and is not covered by warranty.

DIMENSIONS & WIRING DIAGRAMS



Switch Settings		
Switch 1	ON	Leading Edge Dimming
Switch 1	OFF	Trailing Edge Dimming
Switch 2	OFF	Current Sink 0-10V (Do not change)

Figure 1. Wiring Diagram

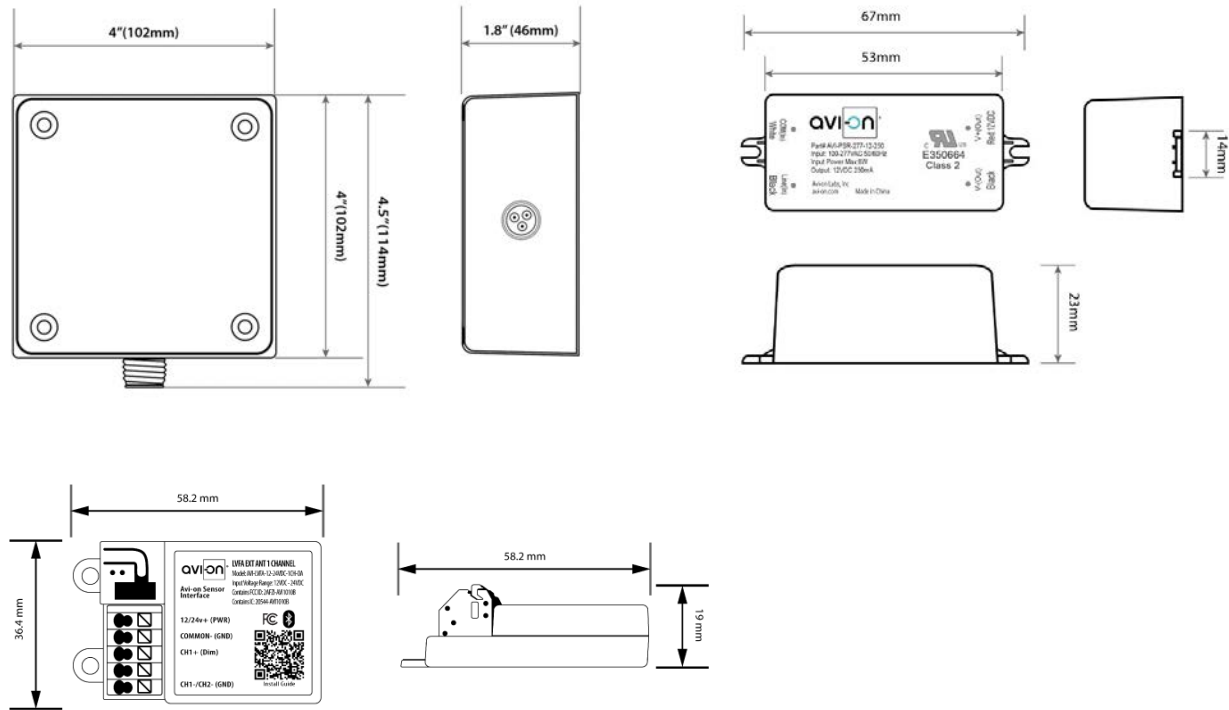


Figure 2. Dimensions

ALL PRODUCT, PRODUCT SPECIFICATIONS AND DATA ARE SUBJECT TO CHANGE WITHOUT NOTICE TO IMPROVE RELIABILITY, FUNCTION OR DESIGN OR OTHERWISE. The information contained herein is believed to be reliable. Avi-on makes no warranty, representation or guarantee regarding the information contained herein, the suitability of the products for any particular purpose, or the continuing production of any product. Avi-on assumes no responsibility or liability whatsoever for the use of the information contained herein. The information contained herein, or any use of such information does not grant, explicitly or implicitly, to any party any patent rights, licenses, or any other intellectual property rights, whether with regard to such information itself or anything described by such information.

