

Relay Adapters



Easy relay integration by Avi-on

Avi-on Relay Fixture Adapters provide one or two channels of 0-10V output for dimming, and a relay control output. Compact at 56 x 38 x 21 mm, Relay Fixture Adapters are placed inside an LED lighting fixture to enable wireless switching and dimming with drivers that required a power disconnect to fully turn off. The relay adaptor is generally coupled with the ARS-10A-277 relay power supply to create a full AC to driver

control solution.

Applications

- Office Lighting
- Warehouse Lighting
- Area Lighting
- Retail Lighting
- Outdoor Lighting
- Signage
- Residential Lighting
- Architectural Lighting

Integrations

- Sensors
- Scene Controllers
- Dimmers and Switches
- Wi-Fi with RAB (Alexa Compatible)
- Avi-on app and Ecosystem

Relay Adapter Features

0-10V Dimming

All Relay Adapters provide 0-10V output fixture controls, with dim to off capability.

Relay Control

Below 5% dimming, the adaptor relay output turns off the relay contained in the 25-700 relay power supply. This ensures the lights go fully off when using standard drivers that only use the 0-10v for dimming.

Tunable White

All dual channel Relay Adapters provide a second 0-10V output which may be used for tunable white applications, allowing for adjustment of LED color temperature (CCT) along with dimming.

Persistent Memory

Fixture Adapters have internal non-volatile memory which preserves device settings, including groups and schedules, through power cycles.

Antennas for Every Application

Multiple antenna options are available for indoor and outdoor applications without re-certification, including integrated internal antennas and interchangeable external antennas.

Compact Size

The Relay Adapter is 56mm x 38mm x 21mm.

Parts and Ordering

Select a part number from the table listed below.

Supply Voltage	Channels	Antenna Type	Part Number
11 - 18 VDC	Single	Monopole (Wire Whip)	2115 UFL
*11 - 18 VDC	Dual	Monopole (Wire Whip)	2215 UFL
11 - 18 VDC	Single	Outdoor	2115 UFL + 6211 ANT

*Special order item

To order please contact Avi-on sales at
(877) AVION-US, (877) 284-6687 or
prosales@avi-on.com
 for information on becoming an Avi-on partner and order details.

Detailed Specifications

Electrical

11 - 18 VDC Specifications	Min	Max	Unit
Supply Voltage Vin - GND	11	18	V
Operating Current	17	25	mA
Output Voltage 0-10V_OUT	-0.24	+11	V
Storage Temperature	-40	+85	°C
Ambient Operating Temperature	-30	+85	°C
Absolute Maximum Output Current (Relay Output; +25C)	-	420	mA
Continuous Output Current (Relay Output)	-	160	mA
Maximum Voltage Drop - Relay Output	-	1.65	V

Detailed Specifications

Wire Connections

Signal Name	Wire Color	Description
GND	BLACK	DC Ground. Multiple BLACK wires are all Common Ground and may be used interchangeably.
Vin	RED	DC Power Input
0-10V_OUT[0]	PURPLE	User controllable 0-10VDC. Available in single and dual channel devices.
0-10V_OUT[1]	ORANGE	User controllable 0-10VDC. Available in dual channel devices only.
GND	GRAY	DC Ground. Multiple GRAY wires are all Common Ground and may be used interchangeably.
Relay_Out	WHITE	Relay Control Voltage Output. Available in Relay Fixture Adapters only.

Case Dimensions (Excluding Wires)

Part	Length (mm)	Width (mm)	Height (mm)
All	56	38	21

Wire Dimensions

Part	Length (mm outside of case)
All	150

Certifications

Regulatory	Description
USA*	FCC: 2AFZI-AVI1010 B
EU	E: 0700 Model: AVI1010-B
Canada	IC: 20544-AVI1010 B
BQB	DID: D031801 Qualified Design ID: 86303

*UL not required, Fixture Adapters are low voltage DC-power devices.

Product Diagram

Avi-on Relay Fixture Adapter for LED Drivers without Dim-to-off

For LED drivers with 0-10V dimming, but without dim-to-off capability, an Avi-on Relay Fixture Adapter may be used to control dimming and on/off. A 12VDC power pack is used to power the fixture adapter and switch the AC load line to the LED driver under control of the Fixture Adapter Relay.

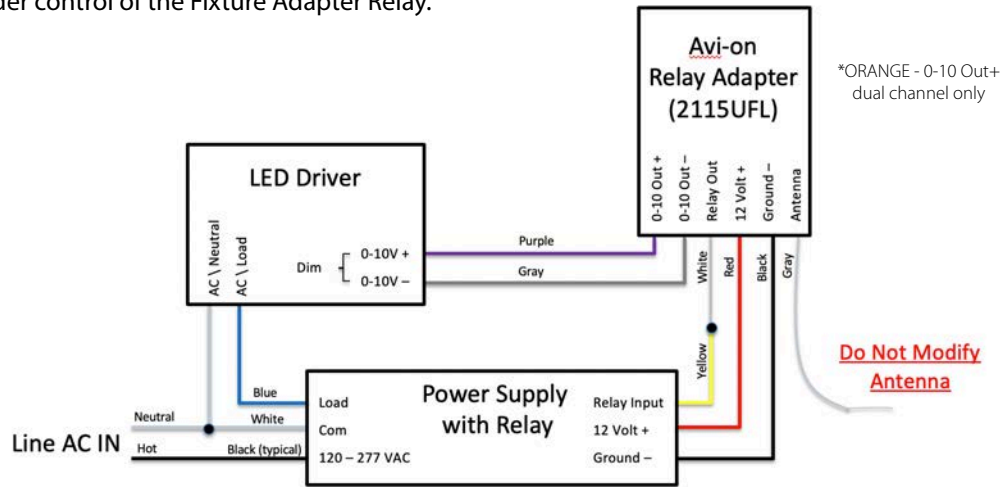


Figure 1. New Relay Fixture Adapter for LED Drivers

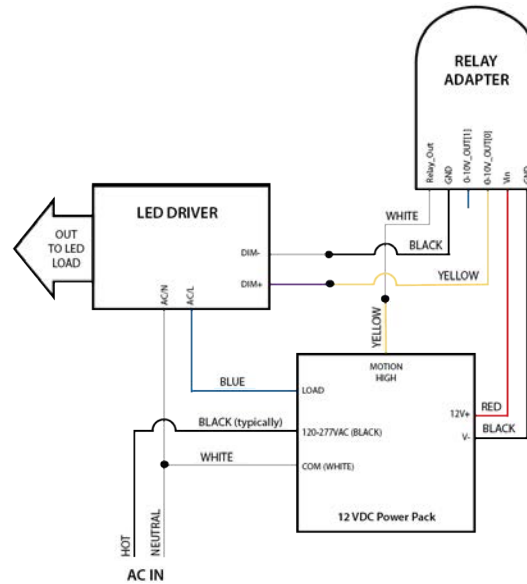


Figure 2. OLD Relay Fixture Adapter for LED Drivers



ALL PRODUCT, PRODUCT SPECIFICATIONS AND DATA ARE SUBJECT TO CHANGE WITHOUT NOTICE TO IMPROVE RELIABILITY, FUNCTION OR DESIGN OR OTHERWISE.

The information contained herein is believed to be reliable. Avi-on makes no warranty, representation or guarantee regarding the information contained herein, the suitability of the products for any particular purpose, or the continuing production of any product. Avi-on assumes no responsibility or liability whatsoever for the use of the information contained herein.

The information contained herein, or any use of such information does not grant, explicitly or implicitly, to any party any patent rights, licenses, or any other intellectual property rights, whether with regard to such information itself or anything described by such information.