

System Photocell

Manage outdoor lighting and motion sensors with a single, centralized controller



PRODUCT OVERVIEW

Description

The Avi-on® System Photocell provides photocell-based sunrise/sunset control for both lights and sensors. One System Photocell can control any number of lights in a location, as long as they can all communicate with each other within the Avi-on network. The System Photocell allows customization of the trigger light level to turn on/off from full sun to dark twilight. You can also set the initial dimming levels of the lights from the System Photocell. Additionally, the unit will enable/disable Direct Connect™ motion sensors at the same time the lights are turned on/off.

The System Photocell kit is comprised of an Avi-on 12-24V LVFA with special System Photocell firmware and an Avi-on Direct Connect Outdoor PIR sensor. The kit includes a 120-277V to 12VDC power supply and a Direct Connect cable..

Installation

Install the System Photocell anywhere within the Avi-on network. Choose a location that reflects the light level to which you want the lights to respond. Point the sensor toward that area and away from

artificial light sources or auto headlights, preferably mounting it on the side.

Mount the control unit inside a waterproof junction box and surface mount the sensor on the box. Mount the antenna base to the case through a 1/4" hole and connect the external antenna. Connect it to a 12-24VDC power source or a 110-277V power adapter connected to an AC source.

Applications

A single System Photocell can control networks of any size as long as the unit and the controlled devices are all within wireless range of each other. The sensor can control up to 20 different sensors and/or groups of devices. Fixture-mounted sensors will be automatically controlled by configuring them to the lighting group.

Use multiple System Photocells if you want different daylight trigger settings or dim levels for different areas or if there are separated network areas.

ORDERING INFORMATION

Part Number	Description	Application	Color
AVI-KIT-SYS-PHOTOCELL	AVI-LVFA-12-24VDC-1CH-OA with System Photocell Firmware, AVI-DC-PIR-OA Sensor, 3ft DC Cable, 110-277V AC Power supply	Sunrise/Sunset Lighting and Motion Control	Bronze
AVI-ASSY-SYS-PHOTOCELL	System Photocell Assembly	Sunrise/Sunset Lighting and Motion Control	-

To order please contact Avi-on sales at **(877) AVION-US**, (877) 284-6687 or prosales@avi-on.com for information on becoming an Avi-on partner and order details.

Project	Location/Type

SPECIFICATIONS

Daylight Range: 0-1050 LUX (0-97 foot-candles)
Dimensions: All components fit in a 4x4 single depth IP rated junction box
PIR Mounting: 1/2in (18mm). Threaded insert size: 0.80in (20.5mm) x 0.4in (10mm) tall. Thread plus supplied nut accommodates material thickness from 0 to 0.6in (0 to 15mm).
Color: Bronze
Weight: 4.4 oz (124g) -All components
Wiring: Direct Connect Cable: 3ft (1m) - included
Operating Temp: -22F to +158F (-30C to +70C)*
Storage Temperature: -40F to +185F (-40C to +85C)
Humidity Rating: 95% non-condensing
Programming: Via Avi-on platform. Mobile, laptop, remote, local.
Operating Modes: Sunrise/Sunset. Lights on off at specified dim level, and/or sensors enabled/disabled

Status LED: On motion detection. Fixture light flashes on motion in test mode
Warranty: 5 years; 10 years optional
Certifications: FCC: 2AFZI-AV1010 B
 IC: 20544-AV1010 B
 BQB: D031801, DID: 86303
 Controller: UL 916, 2043
 Sensor: UL 916- Suitable for Outdoor Use, Rain-tight. IP 67 (PIR Head external, when used with included gasket)

Maximum groups/nodes: Unlimited, 20 different groups or devices

** Note: Operating controller at or above these levels may result in damage components/product*

WIRING DIAGRAMS

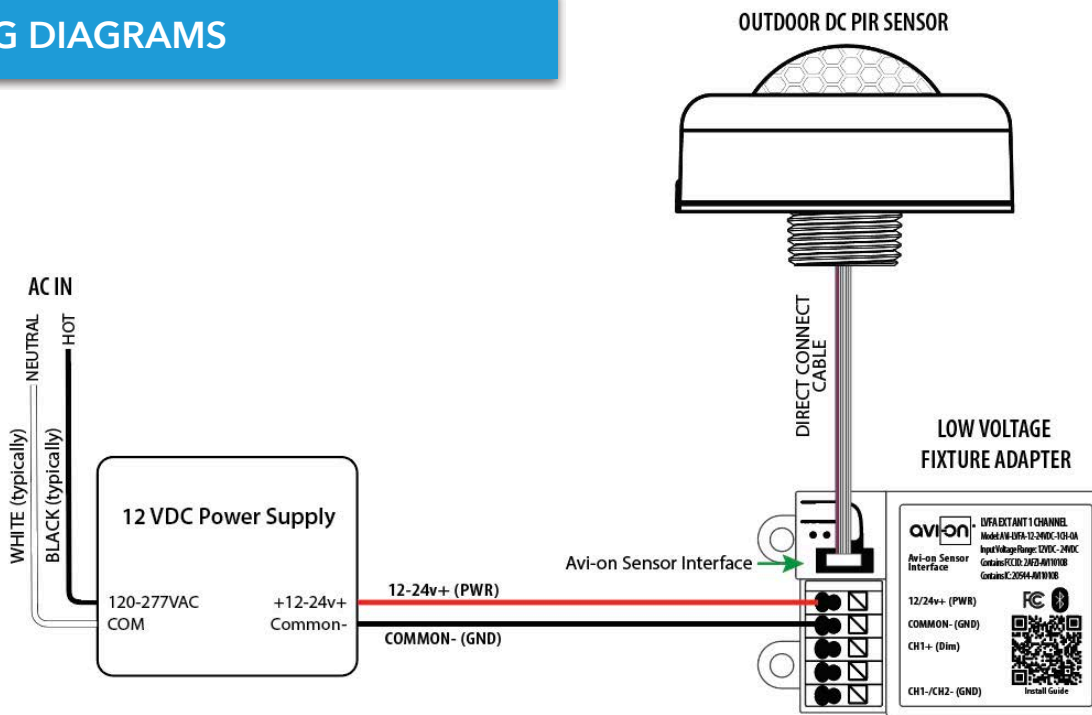


Figure 1. Wiring Diagram w/ Direct Connect Cable

ASSEMBLY



Figure 2. System Photocell Assembly

ALL PRODUCT, PRODUCT SPECIFICATIONS AND DATA ARE SUBJECT TO CHANGE WITHOUT NOTICE TO IMPROVE RELIABILITY, FUNCTION OR DESIGN OR OTHERWISE. The information contained herein is believed to be reliable. Avion makes no warranty, representation or guarantee regarding the information contained herein, the suitability of the products for any particular purpose, or the continuing production of any product. Avion assumes no responsibility or liability whatsoever for the use of the information contained herein. The information contained herein, or any use of such information does not grant, explicitly or implicitly, to any party any patent rights, licenses, or any other intellectual property rights, whether with regard to such information itself or anything described by such information.

