

Avi-on Ultrasonic Sensor

Avi-on Bi-level Dimming Ultrasonic Occupancy Sensor



Built for energy savings & code compliance, the Avi-on Ultrasonic Sensor includes automatic "OFF" functionality to help meet stringent building codes such as CA Title 24, ASHRAE, etc.

Sensor Operation

In commercial applications, Avi-on Ultrasonic Sensors are characterized by their reliability and outstanding versatility. They are extremely precise, because their detection method works reliably under almost all conditions due to their highly reliable sound wave technology. These sensors work well for applications that require precise sensitivity. All sensor settings are easily programmed using the Avi-on mobile app.

Sensor Features

The Avi-on Ultrasonic Sensor is an ultrasonic sensor. It actively emits high frequency sound waves (40kHz) and uses the Doppler Effect to detect motion.

The Avi-on Ultrasonic Sensor is a Class 2 Device designed to satisfy new CA Title 24 requirements for bi-level dimming of lighting fixtures.

Fully programmable to control any zone of lights wirelessly.

The sensor is suitable for a variety of indoor applications. It supports fixture and ceiling mounts from 8-12ft high. Both sensor and power pack are rated for use in temperatures ranging from -30° to 70°C and relative humidity from 90 to 95% at 30°C.

12VDC powered.

Connects to fixtures over the Avi-on network.

Sensor Features (cont.)

Feature List

- Occupancy Mode
- Vacancy Mode
- Scheduled Operation
- Adjustable time and dim levels
- Bi Level Dimming
- On to set level
- On to previous dim level
- Off to set dim level
- Motion Sensitivity

Specifications

- Ultrasonic sensor 40KHz \pm 1kHz.
- LED Motion indicator
- Max range 23ft x 26ft (ceiling mount 8-12ft high)

Parts and Ordering

Controllers

Name	Description	Part Number
Avi-on Ultrasonic Sensor	Ultrasonic Standard BT sensor	AVI-SEN-UFM-24-BLE

To order please contact Avi-on sales at
(877) AVION-US, (877) 284-6687 or
prosales@avi-on.com
 for information on becoming an Avi-on partner and order details.

Case Dimensions (Excluding Wires)

Part	Length (mm)	Width (mm)	Height (mm)
Avi-on Ultrasonic Sensor	61	61	49

Certifications

Type	ID
USA	FCC: ZZ0 WCM-01
UL	E341446

Product Diagrams

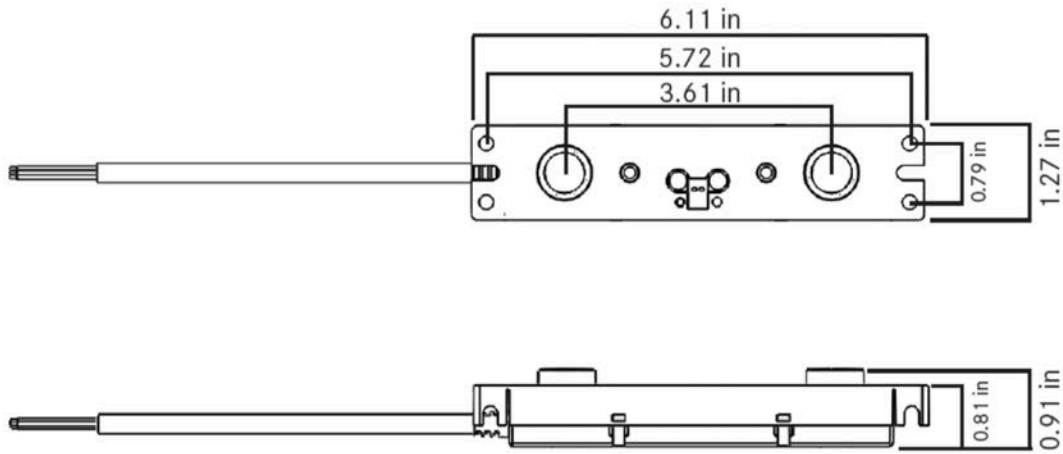


Figure 1. Avi-on Ultrasonic Sensor Dimensions

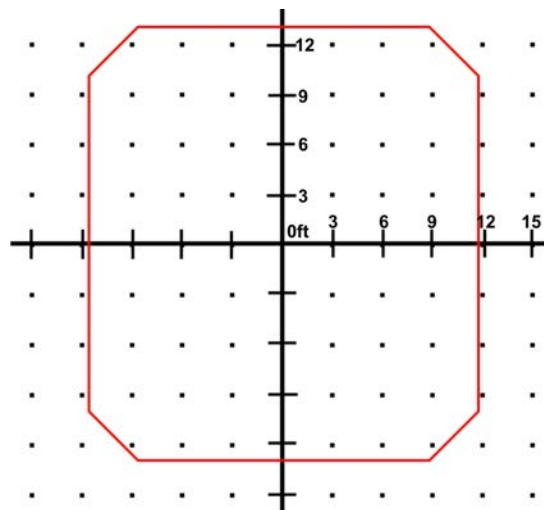


Figure 2. Detection Area



ALL PRODUCT, PRODUCT SPECIFICATIONS AND DATA ARE SUBJECT TO CHANGE WITHOUT NOTICE TO IMPROVE RELIABILITY, FUNCTION OR DESIGN OR OTHERWISE.

The information contained herein is believed to be reliable. Avi-on makes no warranty, representation or guarantee regarding the information contained herein, the suitability of the products for any particular purpose, or the continuing production of any product. Avi-on assumes no responsibility or liability whatsoever for the use of the information contained herein.

The information contained herein, or any use of such information does not grant, explicitly or implicitly, to any party any patent rights, licenses, or any other intellectual property rights, whether with regard to such information itself or anything described by such information.